

(12) INTERNATIONAL APPLICATION PUBLISHED UNDER THE PATENT COOPERATION TREATY (PCT)

(19) World Intellectual Property
Organization
International Bureau



WIPO | PCT



(10) International Publication Number
WO 2018/096519 A1

(43) International Publication Date
31 May 2018 (31.05.2018)

(51) International Patent Classification:

B09B 3/00 (2006.01) B65D 83/00 (2006.01)
B09B 5/00 (2006.01) B67D 1/08 (2006.01)
B29B 17/00 (2006.01)

(21) International Application Number:

PCT/IB2017/057434

(22) International Filing Date:

28 November 2017 (28.11.2017)

(25) Filing Language:

Italian

(26) Publication Language:

English

(30) Priority Data:

16200951.8 28 November 2016 (28.11.2016) EP
102016000121115 29 November 2016 (29.11.2016) IT

(71) Applicant:

(72) Inventor:

(74) Agent:

(81) Designated States (unless otherwise indicated, for every kind of national protection available): AE, AG, AL, AM, AO, AT, AU, AZ, BA, BB, BG, BH, BN, BR, BW, BY, BZ, CA, CH, CL, CN, CO, CR, CU, CZ, DE, DJ, DK, DM, DO,

DZ, EC, EE, EG, ES, FI, GB, GD, GE, GH, GM, GT, HN, HR, HU, ID, IL, IN, IR, IS, JO, JP, KE, KG, KH, KN, KP, KR, KW, KZ, LA, LC, LK, LR, LS, LU, LY, MA, MD, ME, MG, MK, MN, MW, MX, MY, MZ, NA, NG, NI, NO, NZ, OM, PA, PE, PG, PH, PL, PT, QA, RO, RS, RU, RW, SA, SC, SD, SE, SG, SK, SL, SM, ST, SV, SY, TH, TJ, TM, TN, TR, TT, TZ, UA, UG, US, UZ, VC, VN, ZA, ZM, ZW.

(84) Designated States (unless otherwise indicated, for every kind of regional protection available): ARIPO (BW, GH, GM, KE, LR, LS, MW, MZ, NA, RW, SD, SL, ST, SZ, TZ, UG, ZM, ZW), Eurasian (AM, AZ, BY, KG, KZ, RU, TJ, TM), European (AL, AT, BE, BG, CH, CY, CZ, DE, DK, EE, ES, FI, FR, GB, GR, HR, HU, IE, IS, IT, LT, LU, LV, MC, MK, MT, NL, NO, PL, PT, RO, RS, SE, SI, SK, SM, TR), OAPI (BF, BJ, CF, CG, CI, CM, GA, GN, GQ, GW, KM, ML, MR, NE, SN, TD, TG).

Published:

— with international search report (Art. 21(3))

(54) Title: DEVICE AND SYSTEM FOR THE DISPOSAL OF DISPOSABLE KEGS FOR FOOD LIQUIDS AND ASSOCIATED KEG

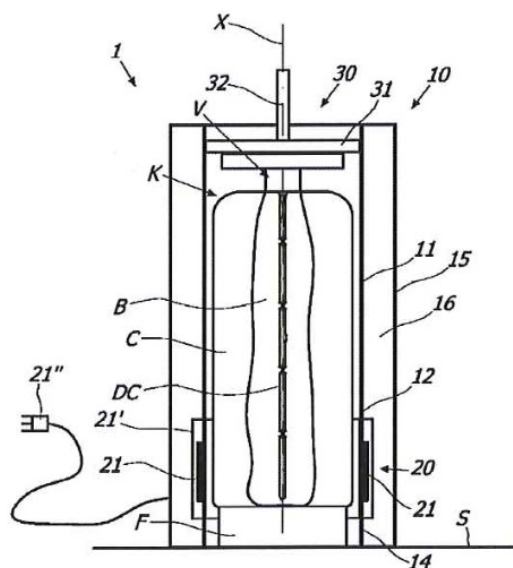


FIG. 1

(57) Abstract: A portable device for compressing disposable kegs (K) for liquid foodstuffs to form disc-shaped elements (D) so as to facilitate the disposal thereof, the disposable keg (K) comprising a substantially cylindrical container (C) made of polymeric material and a lower portion (F) that can be placed on an abutment surface (S). The device comprises a longitudinal support structure (10) defining an axis (X) comprising a lateral wall (11). In particular the disposable keg (K) and the support structure (10) are mutually and coaxially couplable, the latter being open - at the lower part - to be placed on the abutment surface (S) or including a bottom wall defining the abutment surface (S). The device further comprises heating means (20) associated to at least one portion (12) of the lateral wall (11) of the support structure (10). The heating means (20) are configured and/or dimensioned to heat the disposable keg (K) so as to reduce the mechanical strength of the container (C). In the operative position, the support structure (10) has the axis (X) substantially vertical so that - under the action of the heating means (20) - the container (C) mechanically collapses along the axis (X), so as to form the disc-shaped element (D).

WO 2018/096519 A1